



food



agriculture



transport



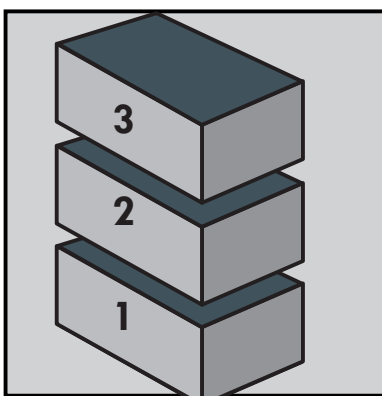
hire



public sectors

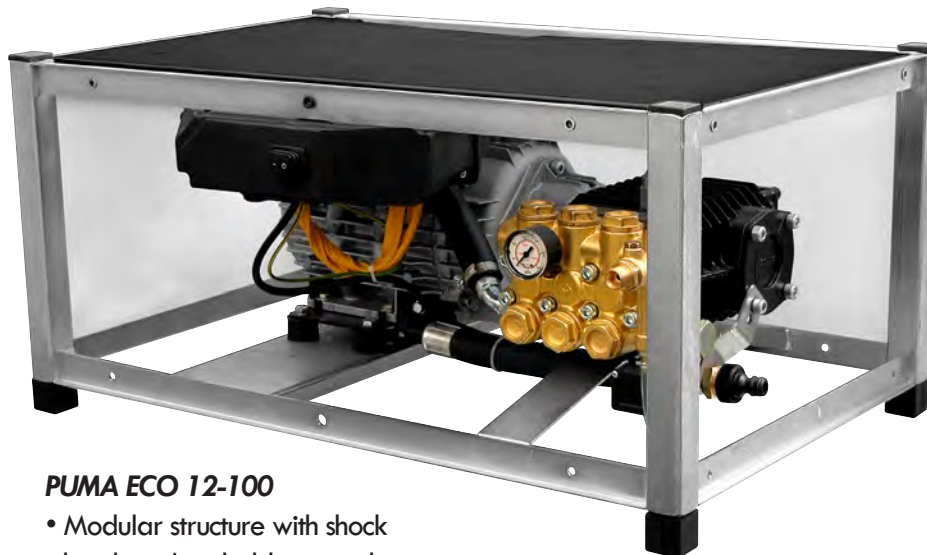


industry



• Stackable up to three machines

PUMA ECO



PUMA ECO 12-100

- Modular structure with shock absorbers (stackable up to three machines) . Linear brass pump head, 4 pole single phase motor
- High-pressure detergent suction with header tank • pressure gauge
- Automatic Stop System
- adjustable pressure • plastic cover



PUMA ECO 15-200

- Modular structure with shock absorbers (stackable up to three machines). Linear brass pump head, 4 pole single phase motor • Automatic Stop System Integrated elastic joint, for pump coupling. Pressure accumulator . Water cooled Motor
- High-pressure detergent suction with header tank • pressure gauge • adjustable pressure • plastic covers

	PUMA 12-100 ECO	PUMA 15-200 ECO	PUMA12-100 ECO STAINLESS	PUMA 15-200 ECO STAINLESS
Code	2445	2446	2447	2448
operat. pressure	120 bar	200 bar	120 bar	200 bar
operat. pressure	1764 psi	2940 psi	1764 psi	2940 psi
delivery rate	12 l/min	15 l/min	12 l/min	15 l/min
abs. power/voltage	2800W- 240V~50Hz (Ph1)	7000W- 415V~50Hz (Ph3)	2800W- 240V~50Hz (Ph1)	7000W- 415V~50Hz (Ph3)
RPM	1450	1450	1450	1450
detergent tank	-	-	-	-
inlet max temperature	40° C	40° C	40° C	40° C
machine dimensions	75x50x35	75x50x35	75x50x35	75x50x35
machine weight	40 Kg / 88 lbs	50 Kg / 110 lbs	40 Kg / 88 lbs	50 Kg / 110 lbs